

06020SS

DC Axial Fan Sleeve Bearing

60[□]X20^L



General Specifications

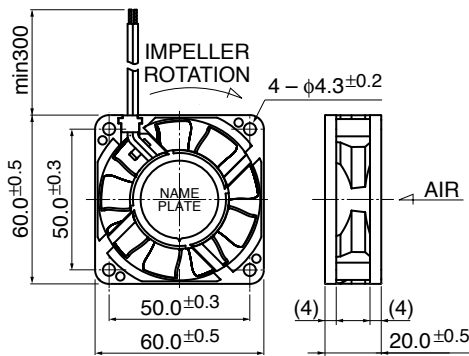
Motor Protection Auto Restart / Polarity Protection

Insulation Resistance 10M Ω or over with a DC500V Megger
Dielectric Withstand Voltage : AC700V 1s

Allowable Ambient : -10 $^{\circ}$ C ~ +70 $^{\circ}$ C (Operating)

Temperature Range -40 $^{\circ}$ C ~ +70 $^{\circ}$ C (Storage)
non-condensing environment

Outline



* Outline is A (Rib) type.

Expected Life

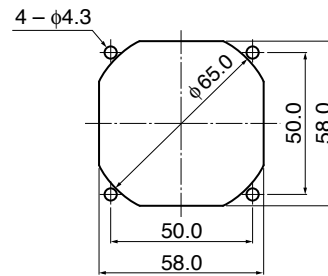
※ Failure Rate: 10% (L10 Life)

40 $^{\circ}$ C 50,000 (Hours)

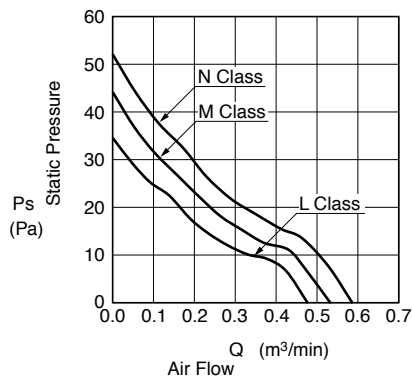
Panel Out-cuts

(Inlet Side)

(Outlet Side)



Characteristic Curves



Material

Casing : Plastic (Black) UL94V-0
Impeller : Plastic (Black) UL94V-0
Bearing : Sleeve Bearing
Lead Wire : UL1007 AWG26 + : Red, - : Black

Specifications

□ = Casing Form --- A: Rib Type, E: Flange Type

Model	Product No.	Rating Voltage	Operating Voltage	Current	Input Power	Speed	Max. Air Flow		Max. Static Pressure		Noise	Mass
		(V)	(V)	(A)*1	(W)*1	(min ⁻¹)*1	(m ³ /min)*1	(CFM)*1	(Pa)*1	(In H ₂ O)*1	(dB)*1	(g)
06020SS-12L-□A-	00	12	6.0 ~ 13.8	0.06	0.72	3600	0.47	16.6	34.7	0.14	26.0	56
06020SS-12M-□A-	00			0.08	0.96	4000	0.52	18.4	42.6	0.17	28.5	
06020SS-12N-□A-	00			0.09	1.08	4400	0.58	20.5	52.1	0.21	30.5	
06020SS-24L-□A-	00	24	12.0 ~ 27.6	0.05	1.20	3600	0.47	16.6	34.4	0.14	26.0	
06020SS-24M-□A-	00			0.06	1.44	4000	0.52	18.4	40.0	0.16	28.5	
06020SS-24N-□A-	00			0.07	1.68	4400	0.58	20.5	49.1	0.20	30.5	

Rotation: Clockwise as seen from the label side
Airflow Outlet: Label side

*1: Average Values in Free Air